



**VG425211AU**  
**Vario gas cooktop 400 series**  
**Width 38 cm**

Can be combined perfectly with other Vario appliances of the 400 series  
 Full electronic power level regulation on 12 levels  
 Precise and reproducible flame size  
 Automatic fast ignition, electronic flame monitoring with automatic re-ignition  
 Simmer function for cooking on a very low output level  
 Solid stainless steel control knob  
 Precision crafting of 3 mm stainless steel  
 For surface mounting with a visible edge or for flush mounting

**Cooking zones**

1 two-ring high output burner with 14.0 MJ/h, suitable for pots up to max. ø 28 cm.  
 1 two-ring standard output burner with 6.5 MJ/h, suitable for pots up to max. ø 24 cm.

**Handling**

Control knobs with illuminated ring, cooking zone and output level markings.  
 One-handed operation.  
 Full electronic control in 12 output levels for exact power level regulation plus simmer function.  
 Automatic fast ignition.

**Features**

Stainless steel  
 Simmer function.  
 Cast iron pan support with flat, continuous pot surface.  
 Brass burner ring(s).

**Safety**

Electronic flame monitoring with automatic re-ignition.  
 Residual heat indicator.  
 Safety shut-off.

**Planning notes**

Depending on the type of installation (surface-mounted or flush-mounted, with or without an appliance cover), the specific location of the cut-out and the knob positions may vary.  
 Appliance can be snapped into the worktop from above.  
 The drawing "Installation of the control knob" must be observed if the panel is more than 23 mm thick (there must be a recess at the rear).  
 If combining several Vario appliances of the 400 series, a connection strip VA 420 must be placed between the appliances. Depending on the type of installation, the corresponding connection strip must be provided.  
 The bearing capacity and stability, in the case of thin worktops in particular, must be supported using suitable substructures. Take into account the appliance weight and additional loads.  
 Additional instructions for flush mounting:  
 Installation is possible in worktops made of stone, synthetics or solid wood. Heat resistance and watertight sealing of the cut edges must be observed. Concerning other materials please consult the worktop manufacturer.  
 The groove must be continuous and even, so that uniform placing of the appliance on the gasket is ensured. Do not use discontinuous lining.

**Characteristics**

**Product name/family**  
 Vario/Domino gas hob

**Built-in / Free-standing**  
 CONSTR\_TYPE.Built-in

**Energy input**  
 Gas

**Total number of positions that can be used at the same time**  
 2

**Required niche size for installation (HxWxD)**  
 134 x 360 x 492

**Width of the product (mm)**  
 380

**Dimensions of the product (mm)**  
 134 x 380 x 520

**Dimensions of the packed product (HxWxD) (mm)**  
 300 x 500 x 600

**Net weight (kg)**  
 13.367

**Gross weight (kg)**  
 15.4

**Residual heat indicator**

**Location of control panel**  
 External control

**Basic surface material**  
 brushed stainless steel

**Color of surface**  
 Stainless steel, Stainless steel

**Color of frame**  
 Stainless steel, Stainless steel

**Approval certificates**  
 Australia Standards, Australia Standards

**Length electrical supply cord (cm)**  
 140

**EAN code**  
 4242006262921

**Consumption and connection features**

**Electrical connection rating (W)**  
 15

**Gas connection rating (W)**  
 5700

**Current (A)**  
 2

**Voltage (V)**  
 220-240

**Frequency (Hz)**  
 50; 60

**2020-08-03**  
 Page 1

The joint width may vary due to size tolerances of the combinations and of the worktop cut-out.  
 If installing several appliances in individual cut-outs allow for a division bar of minimum 50 mm between the individual cut-outs.  
 Special nozzles can be ordered as spare parts.  
 Plan for an electrical connection (the appliance is not operable without power supply).  
 Air intake from above.  
 No intermediate shelf required.  
 Rear panel and wall trims must be heat-resistant and consist of a non-flammable material.  
 A minimum clearance of at least 150 mm from adjacent heat-sensitive furniture or contact surfaces must be observed or thermal insulation fitted.  
 If operated next to the downdraft ventilation VL 414, the air baffle AA 414 is recommended to ensure maximum performance of the cooktop.  
 With a total connected load of more than 39.6 MJ/h local regulations concerning room ventilation, room size and combination of extraction or recirculation hoods must be observed.  
 Minimum clearance between gas cooktop(s) with more than 39.6 MJ/h (11kW) and ventilation hood 70 cm.  
 Appliance weight: approx. 13.

**Connection**

Total connected load gas 20.5 MJ/h  
 Total connected load electric 15.0 W.  
 Connecting cable 1.4 m with plug.  
 Natural gas 10 mbar

**Color Variants**

**VG425211AU**  
**Width 38 cm**

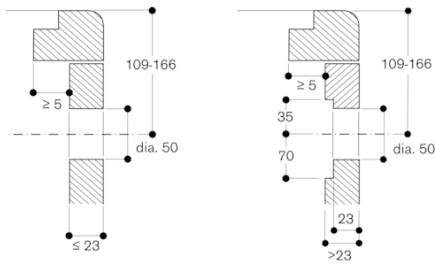
**Installation Accessories**

**VA420000**  
 Connection strip for combination with other Vario appliances of the 400 series for flush mounting

**VA420010**  
 Connection strip for combination with other Vario appliances of the 400 series for surface mounting

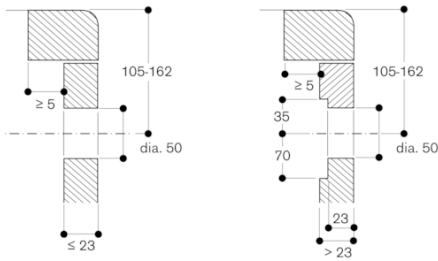
**VA440010**  
 Stainless steel appliance cover with mounting strip

Installation of the control knob; flush installation



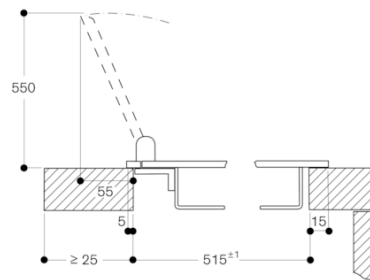
measurements in mm

Installation of the control knob; surface mounting



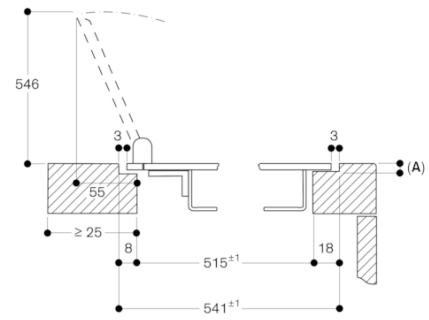
measurements in mm

Installation with appliance cover, surface mounting



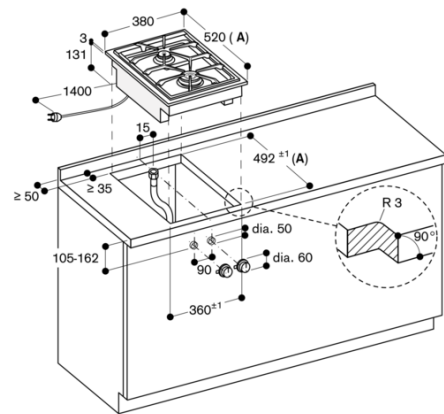
measurements in mm

Installation with appliance cover, flush mounting



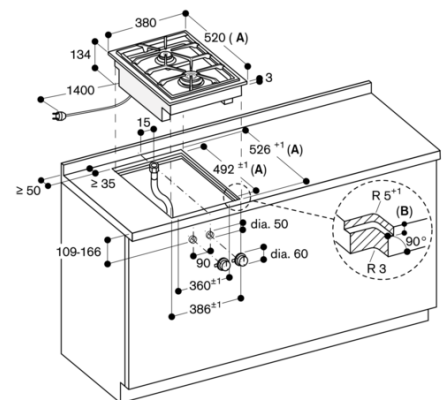
A: 3.5<sup>0.5</sup>

measurements in mm



A: When installing with appliance cover, take the deeper cut-out into consideration (observe separate planning notes)

measurements in mm

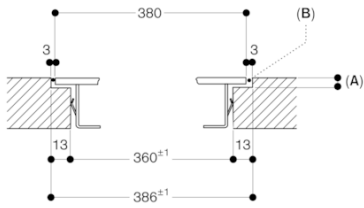


A: When installing with appliance cover, take the deeper cut-out into consideration (observe separate planning notes)

B: 3.5<sup>0.5</sup>

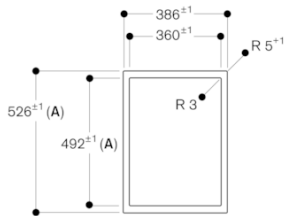
measurements in mm

Longitudinal section



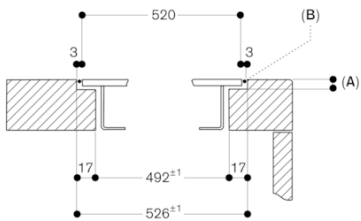
A:  $3.5^{0.5}$   
 B: Fill with silicone  
 measurements in mm

View from above



A: When installing with appliance cover, take the deeper cut-out into consideration (observe separate planning notes)  
 measurements in mm

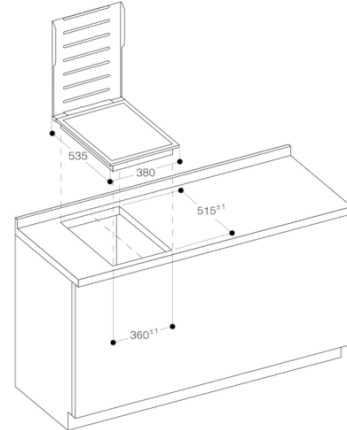
Cross-section



A:  $3.5^{0.5}$   
 B: Fill with silicone

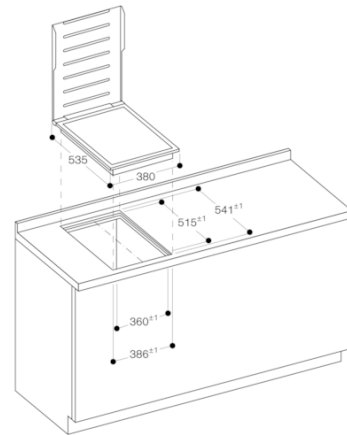
When installing with appliance cover, pay attention to the deeper cut-out and the front and rear groove width.  
 measurements in mm

Installation with appliance cover, surface mounting



measurements in mm

Installation with appliance cover, flush mounting



measurements in mm