



Color Variants

VG232220AU

Black anodized control panel in aluminium
Width 28 cm

Optional accessories

VD200020

Black appliance cover anodized aluminium

Installation Accessories

VV200010

Stainless steel connection strip for combination with other Vario appliances of the 200 series

VV200020

Black connection strip for combination with other Vario appliances of the 200 series

VG232220AU

Vario gas cooktop 200 series

Black anodized control panel in aluminium

Width 28 cm

Can be combined with the cooktops of the Vario 200 series to a harmonic unity

Control panel for comfortable and secure operation

Mechanical power level regulation for 9 power levels, with exact setting and reproduction of flame size

Solid smooth-surface cast iron pan supports for easy and safe positioning of cookware

Cooking zones

1 high output burner with 10.8 MJ/h, suitable for pots up to max. ø 22 cm.

1 standard burner with 6.8 MJ/h, suitable for pots up to max. ø 20 cm.

Handling

Control knobs with illuminated ring.

Integrated control panel.

One-handed operation.

Electric ignition.

Features

Cast pan support with continuous pot surface.

Enamelled burner cover.

Safety

Thermoelectric safety pilot.

Residual heat indicator.

Operation indicator.

Planning notes

Appliance can be snapped into the worktop from above.

A minimum clearance of at least 150 mm from adjacent heat-sensitive furniture or contact surfaces must be observed or thermal insulation fitted.

With a total connected load of more than 39.6 MJ/h local regulations concerning room ventilation, room size and combination of extraction or recirculation hoods must be observed.

Minimum clearance between gas cooktop(s) with more than 39.6 MJ/h (11kW) and ventilation hood 70 cm.

Appliance weight: approx. 8.

Characteristics

Product name/family

Vario/Domino gas hob w control

Built-in / Free-standing

CONSTR_TYPE.Built-in

Energy input

Gas

Total number of positions that can be used at the same time

2

Required niche size for installation (HxWxD)

106 x 268 x 492

Width of the product (mm)

288

Dimensions of the product (mm)

106 x 288 x 512

Dimensions of the packed product (HxWxD) (mm)

260 x 400 x 600

Net weight (kg)

8.028

Gas weight (kg)

9.2

Residual heat indicator

Location of control panel

Basic surface material

brushed stainless steel

Color of surface

Stainless steel

Color of frame

Stainless steel

Approval certificates

Australia Standards, Australia

Standards

Length electrical supply cord (cm)

170

EAN code

4242006280055

Consumption and connection features

Electrical connection rating (W)

10

Gas connection rating (W)

4900

Current (A)

10

Voltage (V)

220-240

Frequency (Hz)

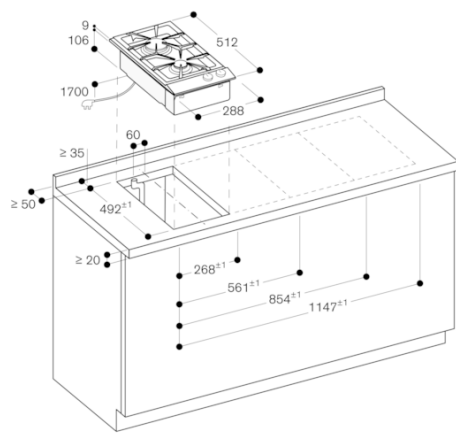
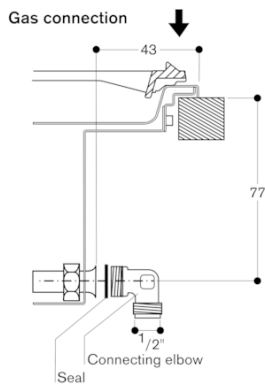
60; 50

2020-08-03

Page 1

VG232220AU
Vario gas cooktop 200 series
Black anodized control panel in
aluminium
Width 28 cm

2020-08-03
Page 2



Minimum distance from the appliance cut-out to the side wall 150 mm.
measurements in mm