

Color Variants

VI232120
Black anodized control panel in
aluminium
Width 28 cm

Optional accessories

GP900003
VD200020

Installation Accessories

VV200010
VV200020

VI232120
Vario flex induction cooktop 200 series
Black anodized control panel in
aluminium
Width 28 cm

Can be combined with the cooktops of
the Vario 200 series to a harmonic unity
Control panel for comfortable and
secure operation

Cooking zones

2 flex induction cooking areas 19x21
cm (2200 W, with booster 3700 W),
linked together 38x21 cm (3300 W, with
booster 3700 W).

Handling

Control knobs with illuminated ring.
Integrated control panel.
Electronic power control in 9 output
levels.

Features

Cooking area marking.
Flex function for rectangular cooking
areas.
Frying sensor function.
Pot detection.
Booster function for both cooking
areas.

Safety

Residual heat indicator.
Operation indicator.
Safety shut-off.

Planning notes

Operates with magnetic (induction)
iron pots and pans only. For an optimal
heat distribution, the use of sandwich
bottom cookware is recommended.
Appliance can be snapped into the
worktop from above.
Appliance weight: approx. 9.

Connection

Total connected load 3.7 KW.
Connecting cable 1.5 m without plug.

Characteristics

Product name/family
Vario/Domino cooking zone cera

Built-in / Free-standing
Built-in

Energy input
Electric

**Total number of positions that can be
used at the same time**
2

**Required niche size for installation
(HxWxD)**
50 x 268 x 492

Width of the product (mm)
288

Dimensions of the product (mm)
50 x 288 x 512

**Dimensions of the packed product
(HxWxD) (mm)**
200 x 400 x 600

Net weight (kg)
8.613

Gross weight (kg)
9.7

Residual heat indicator

Location of control panel

Basic surface material
Ceramic

Color of surface
Black, Stainless steel

Color of frame
Stainless steel

Approval certificates
AENOR, CE

Length electrical supply cord (cm)
150

EAN code
4242006280482

Consumption and connection features

Electrical connection rating (W)
3700

Gas connection rating (W)

Current (A)

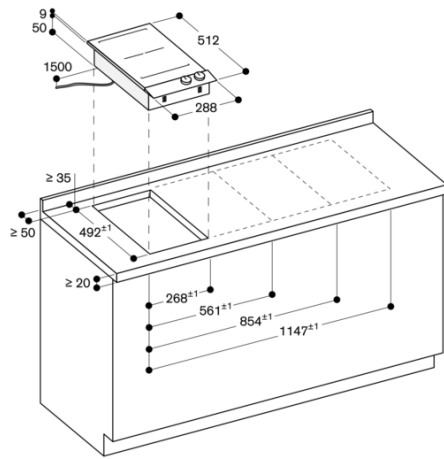
Voltage (V)
220-240

Frequency (Hz)
60; 50

2020-09-03
Page 1

VI232120
Vario flex induction cooktop 200 series
Black anodized control panel in
aluminium
Width 28 cm

2020-09-03
Page 2



measurements in mm