



Color Variants

RW404261

Under-counter, stainless steel-framed glass door

Niche width 60 cm, Niche height 82 cm

Optional accessories

RA050220

Replacement activated charcoal air filter.

RA097600

Accessory for side-by-side installation of two under-counter wine climate cabinets

RW404261

Wine climate cabinet 200 series

Under-counter, stainless steel-framed glass door

Niche width 60 cm, Niche height 82 cm

2 independently controllable climate zones

Consistent temperatures with exact control from +5 °C to +20 °C

Humidity control

Extendable bottle trays in beech and aluminium

LED lighting

Cushioned door closing system

allowing a soft and controlled door closure

Lockable door

Capacity 34 bottles

Side-by-side installation possible with special accessory

Handling

Electronic temperature control with digital display.

Touch keys.

Presentation light option in each climate zone, dimmable.

Interior lighting with automatic dimming with opening and closing of door.

Technical Features

Dynamic cold air distribution.

Automatic defrosting with defrost water evaporation.

Cushioned door closing system integrated in door hinge.

1 activated charcoal air filter for both climate zones.

UV-protection.

Open-door and malfunction alarm.

Dust filter, dishwasher-safe.

Features

Net volume 94 litres.

Capacity 34 bottles (based on 0.75l standard bottles).

5 bottle trays, 3 of which are extendable.

Storage of magnum bottles possible.

LED lighting.

Consumption data

Energy consumption 144 kWh/year.

Noise level 38 dB (re 1 pW).

Planning notes

Flat hinge.

Door hinge right, reversible.

Height-adjustable feet.

For integration next to a side wall a clearance of 150 mm hinge side is necessary.

The mains socket needs to be planned outside the built-in niche.

No transport/operation above 1.500 m sea level.

Connection

Total connected load 0.130 KW.

Connecting cable 2.0 m with plug.

Characteristics

Built-in / Free-standing

Built-in

Door panel options

Not possible

Height (mm)

818

Width of the product (mm)

597

Depth of the product

570

Required niche size for installation (HxWxD)

820 x 600 x 580

Net weight (kg)

51.000

Connection Rating (W)

130

Current (A)

10

Interior ventilator

No

Voltage (V)

220-240

Frequency (Hz)

50-60

Approval certificates

CE, VDE

Length electrical supply cord (cm)

200

Plug type

Gardy plug w/ earthing

Energy consumption (kWh/d) winecooler

144

Energy consumption per Year (kWh/a) winecooler

144

Total unit gross capacity (l)

123

Number of compressors

1

Number of independent cooling systems

1

Reversible Door Hinge

Yes

Interior light switch

No

EAN code

4242006240165

Consumption and connection features

Brand

Gaggenau

Product name / Commercial code

RW404261

Product category

Energy efficiency class (2010/30/EC)

A

Energy consumption annual (kWh/annum)

144.00

Capacity in 0.75l (bordeaux bottles)

34

Climate class

SN-ST

Noise level (dB)

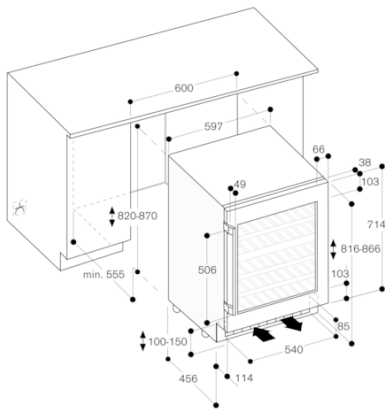
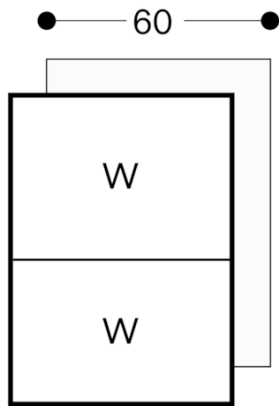
38

2020-09-08

Page 1

RW404261
Wine climate cabinet 200 series
Under-counter, stainless steel-framed
glass door
Niche width 60 cm, Niche height 82 cm

2020-09-08
Page 2



Bottle storage

