



CX482110
Full surface induction cooktop 400 series
Stainless steel frame
Width 80 cm

Can be combined perfectly with other Vario appliances of the 400 series
One single large cooking surface
Free positioning of cookware
All sizes and formats of cookware can be used
TFT touch display for an intuitive control of all functions
Cooking sensor function for temperature control in pots
Professional cooking function
Max. power output for big cookware of up to 5.5 KW
Precision crafting of 3 mm stainless steel
For surface mounting with a visible edge or for flush mounting

Cooking zones
Up to 5 items of cookware can be placed simultaneously on the cooktop.
One unique cooking surface of 2750 cm².

Handling
Easy to use colour graphic TFT touch display with use indications.
Electronic power control in 17 output levels.

Features
Cooking sensor function.
Professional cooking function.
Dynamic cooking function.
Teppan Yaki function.
Booster function for pots.
Booster function for pans.
Keep warm function.
Individual pot detection.
Cooking timer for each cooking position.
Stopwatch.
Short-term timer.
Information key with use indicators.
Power management.

Safety
Main switch.
Child lock.
Safety shut-off.
Pause function.

Planning notes
Depending on the type of installation (surface-mounted or flush-mounted), the specific definition of the cut-out must be observed.
Appliance can be snapped into the worktop from above.
If combining several Vario appliances of the 400 series, a connection strip VA 420 must be placed between the appliances. Depending on the type of installation, the corresponding connection strip must be provided.
The bearing capacity and stability, in the case of thin worktops in particular, must be supported using suitable substructures. Take into account the appliance weight and additional loads.
Additional instructions for flush mounting:
Installation is possible in worktops made of stone, synthetics or solid wood. Heat resistance and watertight sealing of the cut edges must be observed. Concerning other materials please consult the worktop manufacturer.
The groove must be continuous and even, so that uniform placing of the appliance on the gasket is ensured. Do not use discontinuous lining.

Characteristics
Product name/family
Cooking zone ceramic
Construction type
Built-in
Energy input
Electric
Total number of positions that can be used at the same time
5
Type of control setting devices
Required niche size for installation (HxWxD)
65 x 784-784 x 492-492
Width of the product (mm)
804
Dimensions of the product (mm)
65 x 804 x 520
Dimensions of the packed product (HxWxD) (mm)
152 x 951 x 636
Net weight (kg)
27.200
Gross weight (kg)
29.1
Residual heat indicator
Separate
Location of control panel
Hob front
Type of external control possibility
Basic surface material
Color of surface
anthracite, Stainless steel
Color of frame
Stainless steel
Approval certificates
AENOR, CE
Length electrical supply cord (cm)
150
EAN code
4242006269814

Consumption and connection features
Electrical connection rating (W)
7400
Gas connection rating (W)
Current (A)
Voltage (V)
220-240
Frequency (Hz)
50; 60
2020-09-05
Page 1

The joint width may vary due to size tolerances of the combinations and of the worktop cut-out.
If installing several appliances in individual cut-outs allow for a division bar of minimum 50 mm between the individual cut-outs.
Operates with magnetic (induction) iron pots and pans only. For an optimal heat distribution, the use of sandwich bottom cookware is recommended.
The wok pan WP 400 001 cannot be used with this appliance.
Appliance weight: approx. 27.

Connection
Total connected load 7.4 KW.
Connecting cable 1.5 m without plug.
Power consumption standby/display off 0.5 W.

Color Variants

CX482110
Stainless steel frame
Width 80 cm

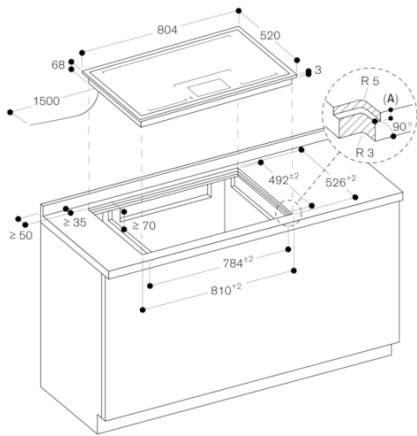
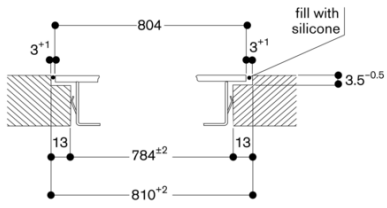
Optional accessories

CA060300
Cooking sensor for temperature regulation within pots
GN232110

Installation Accessories

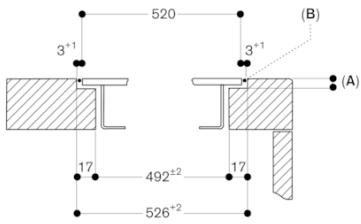
VA420000
Connection strip for combination with other Vario appliances of the 400 series for flush mounting
VA420010
Connection strip for combination with other Vario appliances of the 400 series for surface mounting

Longitudinal section



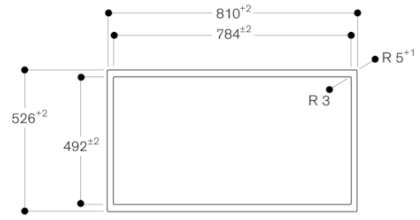
A: 3.5^{-0.5}
 measurements in mm

Cross-section

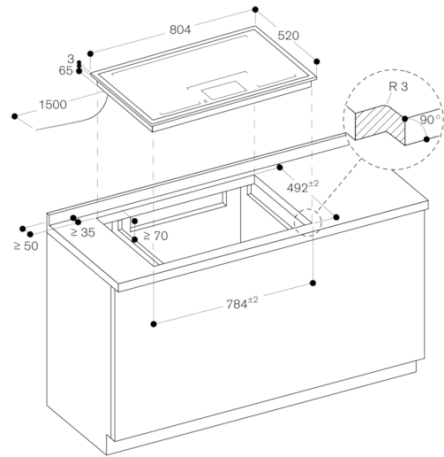


A: 3.5^{-0.5}
 B: Fill with silicone
 measurements in mm

View from above



measurements in mm



measurements in mm