



BS475112
Combi-steam oven 400 series
Stainless steel-backed full glass door
Width 60 cm
left-hinged
Controls at the bottom

Handleless door / automatic door opening
 Fixed inlet and outlet water connection
 Cleaning system, fully automatic
 Large cavity
 2 LED light sources
 External steam generation
 Steaming without pressure
 Hot air 30 °C to 230 °C can be combined with chosen humidity level of 0%, 30%, 60%, 80% or 100%
 Sous-vide cooking with accurate temperature regulation
 Full surface grill behind glass ceramic, combinable with circulated air up to 230 °C and steam
 Automatic programs
 Core temperature probe with estimation of cooking time
 Hot air fan rotates in both directions for ideal heat distribution
 TFT touch display
 Panel-free appliance with surface control module
 Electronic temperature control from 30 °C to 230 °C
 Net volume 50 litres

Heating methods
 Hot air + 100 % humidity. Hot air + 80 % humidity. Hot air + 60 % humidity. Hot air + 30 % humidity. Hot air + 0 % humidity. Low temperature cooking. Sous-vide cooking. Full surface grill level 1 + humidity. Full surface grill level 2 + humidity. Full surface grill + circulated air. Dough proofing. Defrosting. Regenerating.

Handling
 Automatic door opening.
 Rotary knob and TFT touch display operation.
 Clear text display.
 Option to save individual recipes (incl. core temperature probe).
 Personalisation of automatic programs.
 Information key with use indicators.
 Side-opening door opens up to 180° angle.

Features
 Full surface grill 2000 W behind glass ceramic.
 Steam removal.
 Misting.
 Three-point core temperature probe with automatic shut-off and estimation of cooking time.
 Automatic programs.
 Actual temperature display.
 Timer functions: cooking time, cooking time end, timer, stopwatch, long-term timer.
 Automatic boiling point detection.
 Capacity display for filter cartridge (if connected to GF 111 100 descaling system).
 2 x LED lights on the side.
 Hygienic stainless steel cooking interior.
 3 tray levels.

Safety
 Child lock.
 Safety shut-off.
 Cooled housing with temperature protection.

Cleaning
 Cleaning program, fully automatic.

Characteristics
Color / Material Front
Built-in / Free-standing
 Built-in
Door opening
 Lateral
Required niche size for installation (HxWxD)
 450-450 x 560-560 x 550
Dimensions of the product (mm)
 455 x 590 x 540
Dimensions of the packed product (HxWxD) (mm)
 590 x 660 x 690
Control Panel Material
Door Material
 Stainless steel behind glass
Net weight (kg)
 47.573
Approval certificates
 AGA, VDE
Length electrical supply cord (cm)
 175
EAN code
 4242006277680

Consumption and connection features
Electrical connection rating (W)
Current (A)
 16
Voltage (V)
 220-240
Frequency (Hz)
 50
Plug type
 Gardy plug w/ earthing
Approval certificates
 AGA, VDE
Number of cavities (2010/30/EC)
 1
Usable volume (of cavity) - NEW (2010/30/EC)
 50
Energy efficiency class (2010/30/EC)
 A
Energy consumption per cycle conventional (2010/30/EC)
Energy consumption gas oven per cycle conventional (2010/30/EC)
Energy consumption per cycle forced air convection (2010/30/EC)
 0.72
Energy consumption gas oven per cycle forced air convection (2010/30/EC)
 94.7
Energy efficiency index (2010/30/EC)
 94.7

2020-09-06
Page 1

Descaling program for the steam generator.
 Drying program.
 Automatic drying of the cavity at the end of the cooking process.
 Strainer filter, removable.
 Demo cleaning program.

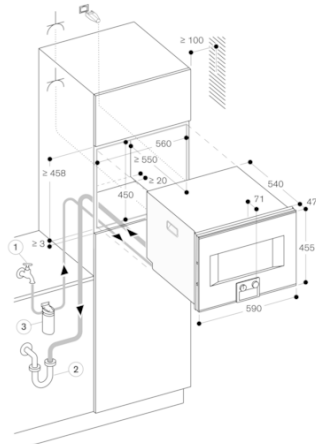
Planning notes
 Door hinge not reversible.
 No other electrical appliances should be installed above the BS.
 At no point may the outlet hose be positioned higher than the bottom edge of the appliance. The outlet hose must also be at least 100 mm lower than the appliance outlet (see drawing "drainage connection").
 Inlet hose can be extended once.
 The outlet hose must not be longer than a maximum of 5 m.
 The water connection (1) for the inlet hose must always be accessible and not located directly behind the appliance.
 The connection of the outlet hose to the siphon (2) must not be directly behind the appliance and should be accessible.

The descaling system GF 111 100 (3) must be installed when connecting the appliance if the water hardness exceeds 7° dH.
 The door panel surface of the appliance extends 47 mm from the furniture cavity.
 Consider the overhang when planning to open drawers next to the appliance.
 When planning a corner solution, pay attention to the 90° door opening angle.
 The mains socket needs to be planned outside the built-in niche.

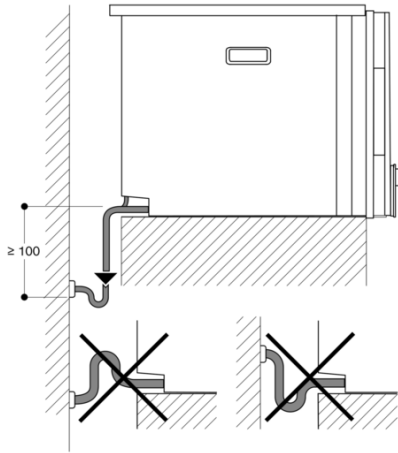
Connection
 Total connected load 3.1 KW.
 Only cold water connection.
 Inlet hose 3.0 m with 3/4" (26,4 mm) connection, extendable.
 Outlet hose (ø 24 mm) 3.0 m (HT-Hose).
 Connecting cable 1.8 m without plug.
 Plan a LAN cable.
 Power consumption standby/display on 0.8 W.
 Power consumption standby/display off 0.5 W.
 Power consumption standby/network 1.8 W.
 Time auto-standby/display on 20 min.
 Time auto-standby/display off 20 min.
 Time auto-standby/network 20 min.
 Please check the user manual for how to switch off the WiFi module.

BS475112
 Combi-steam oven 400 series
 Stainless steel-backed full glass door
 Width 60 cm
 left-hinged
 Controls at the bottom

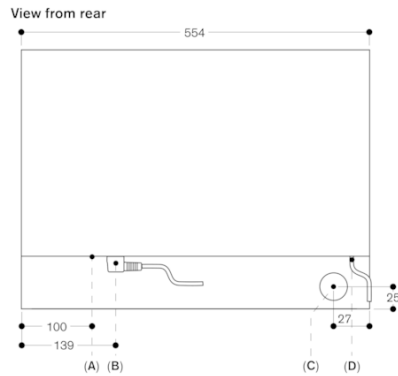
2020-09-06
 Page 2



Socket
 measurements in mm

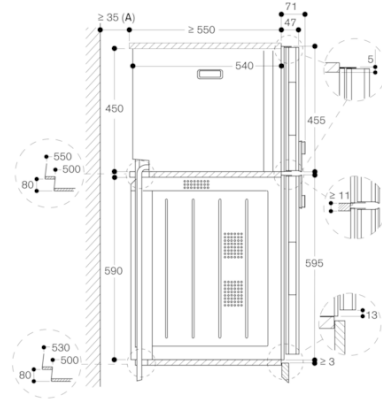


measurements in mm



A:LAN connection
 B:Electric terminal box
 C:Water outlet
 D:Cold water inlet
 measurements in mm

Side view of BS 474/475 above BO



A:Only required if the water hoses for the BS steam oven cannot be accommodated in the corner recesses of the appliances.
 measurements in mm