



Color Variants

BM455110
Stainless steel-backed full glass door
Width 60 cm

Product Variants

BM454110
Combi-microwave oven 400 series
Stainless steel-backed full glass door
Width 60 cm
Right-hinged
Controls at the bottom

BM455110
Combi-microwave oven 400 series
Stainless steel-backed full glass door
Width 60 cm
Left-hinged
Controls at the bottom

Handleless door / automatic door opening
Single operation and combination of microwave, grill and oven
Sequential operation of up to 5 modes incl. programing of combined operation and rest time
TFT touch display
Panel-free appliance with surface control module
Electronic temperature control
Interior volume 36 litres

Programs

Microwave operation with 5 output levels: 1000, 600, 360, 180, 90 W.
Oven operation with 4 heating methods: Hot air 40 °C and from 100 °C to 250 °C, Full surface grill + hot air from 100 °C to 250 °C, Full surface grill + circulated air from 100 °C to 250 °C, Full surface grill with 3 levels of intensity, maximum output 2000 W.
Heating methods with microwave output levels 600, 360, 180 and 90 W freely combinable.
15 automatic programs with weight indication, customisable: 4 defrosting programs 4 cooking programs 7 combination programs

Handling

Automatic door opening.
Rotary knob and TFT touch display operation.
Information key with use indicators.
Side-opening door opens up to 180° angle.

Features

Rapid heating.
4 tray levels.
Actual temperature display.
60 W halogen light on the side.

Safety

Thermally insulated door with triple glazing.
Triple door lock.
Child lock.
Safety shut-off.
Cooled housing with temperature protection.

Cleaning

Hygienic stainless steel interior with glass ceramic base.
Interior back wall with catalytic coating.

Planning notes

Door hinge not reversible.
Plan the niche without back wall.
The door panel surface of the appliance extends 47 mm from the furniture cavity.
Consider the overhang when planning to open drawers next to the appliance.
When planning a corner solution, pay attention to the 110° door opening angle.
The mains socket needs to be planned outside of the built-in niche.

Connection

Total connected load 3.1 KW.
Connection cable 1.5 m without plug.

Characteristics

Type of micro-wave oven
MW-Combi
Type of control
Electronic
Color / Material Front
Dimensions of the product (mm)
455 x 590 x 582
Cavity dimensions (mm)
236.0 x 445.0 x 348.0
Length electrical supply cord (cm)
150
Net weight (kg)
38.690
Gross weight (kg)
44.2
EAN code
4242006218379

Consumption and connection features

Maximum micro-wave power (W)
1000

Connection Rating (W)
3100

Current (A)
16

Voltage (V)
220-240

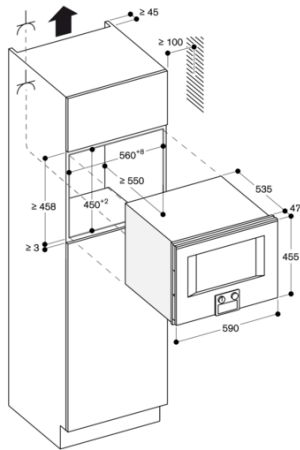
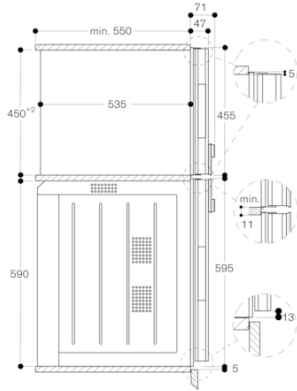
Frequency (Hz)
60; 50

Plug type
fixed connection, no plug

2020-09-06
Page 1

BM455110
 Combi-microwave oven 400 series
 Stainless steel-backed full glass door
 Width 60 cm
 Left-hinged
 Controls at the bottom
 2020-09-06
 Page 2

Side view of BS 454/455, BM 454/455 above BO



⚡ Socket
 measurements in mm

Side view of BM 454/455 above BO

