



AW240191
Wall-mounted hood 200 series
Stainless steel with glass control panel
Gaggenau Anthracite
Width 90 cm
Air extraction / Air recirculation
Delivery with mounting kit and chimney

Stainless steel hood with glass cover fitting to oven 200 series
Highly efficient vapour collection by recessed filters
Energy-saving, low-noise fan
Perforated sheet metal filter with high grease absorption
Function for automatic, sensor-controlled power adjustment depending on the build-up of cooking vapours
Dimmable, neutral white LED light for ideal illumination of the whole cooktop
Air extraction or air recirculation system

Output

Air extraction: 618 / 970 m³/h. 64 / 73 dB (A) re 1 pW.
Air recirculation: 383 / 476 m³/h. 69 / 74 dB (A) re 1 pW.
Odour reduction air recirculation 79 %.

Features

3 electronically controlled power levels and 1 intensive mode.
Automatic function with sensor-controlled run-on function.
Grease filter saturation indicator.
Activated charcoal filter saturation indicator.
Perforated sheet metal filter, dishwasher-safe.
Interval ventilation, 6 min.
Cooktop-based ventilation control (with suitable cooktop).
Neutral white LED light (3500 K), continuously dimmable.
Lamp output 3 x 3W LED lights.
Illuminance 551 lx continuously dimmable.
Fan technology with highly efficient, brushless DC motor (BLDC).
Integrated sound insulation for quiet operation.
Airflow-optimised vapour collection area with slightly inward facing filters.
The package includes an one-way flap.
Easy mounting system for simple installation and alignment.

Consumption data

Energy consumption 44.5 kWh/year.
Sound level min. 44 dB / max. 64 dB normal mode.

Planning notes

The package includes the two-part chimney with the dimensions from 572 mm to 874 mm. Individual planning solutions can be implemented using the special accessory chimney extension AD 200 322 or by shortening the lower edge of the inner chimney. Clearance above gas appliances min. 65 cm (more than total load gas 12 kW min. 70 cm).
Clearance above electric appliances min. 55 cm.
The air recirculation module with activated charcoal filter can be installed on the inner chimney.
When installing a ventilation hood with air extraction mode and a chimney-vented fireplace, the power supply line of the ventilation appliance needs a suitable safety switch.

Connection

Total connected load 269 W.
Connecting cable 1.3 m with plug.

Characteristics

Product name/family
Color chimney
Typology
Chimney
Approval certificates
CE, Eurasian, G-Mark, Ukraine, VDE
Length electrical supply cord (cm)
130
Required niche size for installation (HxWxD)
Height of the chimney (mm)
572-874/738-1072
Height of product, without chimney (mm)
80
Minimum distance above an electric hob
550
Minimum distance above a gas hob
650
Net weight (kg)
20.909
Type of control
Electronic
Number of speed settings
Maximum output air extraction (m³/h)
618
Boost position output recirculating (m³/h)
476.0
Maximum output recirculating air (m³/h)
Boost position air extraction (m³/h)
970
Number of lights
3
Noise level (dB)
64
Diameter of air outlet (mm)
120 / 150
Grease filter material
Washable stainless steel
EAN code
4242006281069

Consumption and connection features

Connection Rating (W)
269
Current (A)
10
Voltage (V)
220-240
Frequency (Hz)
60; 50
Plug type
Gardy plug w/ earthing
Installation typology
Wall-mounted

2020-09-03

Page 1

Power consumption standby/display off 0.5 W.

Please check the user manual for how to switch off the WiFi module.

Color Variants

AW240191
Stainless steel with glass control panel
Gaggenau Anthracite
Width 90 cm

Optional accessories

AA200110
1 activated charcoal filter with high efficient odour reduction due to increased surface. For air recirculation module AA 200 812/816 and AA 010 810
AA200812
Air recirculation module inclusive 1 activated charcoal filter with high efficient odour reduction due to increased surface

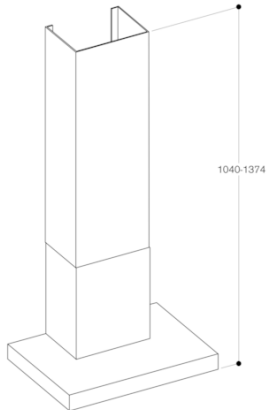
Installation Accessories

AD200322
AD200392

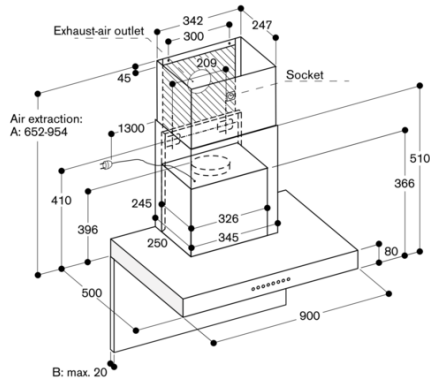
AW240191
 Wall-mounted hood 200 series
 Stainless steel with glass control panel
 Gaggenau Anthracite
 Width 90 cm
 Air extraction / Air recirculation
 Delivery with mounting kit and chimney

2020-09-03
 Page 2

AW 240 with AD 200 322

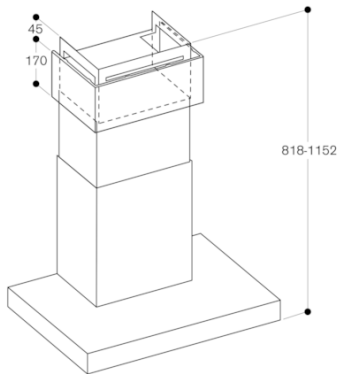


* Suitable for ceiling heights from 2.64 m to 2.97 m;
 Specifications refer to the distance of 1.60 m from the floor
 to the lower edge of the hood.



A: Suitable for ceiling heights from 2.25 m to 2.55 m;
 Specifications refer to the distance of 1.60 m from the floor
 to the lower edge of the hood.
 B: Note the maximum thickness of the back panel.

AW 240 with AA 200 812



* Suitable for ceiling heights from 2.45 m to 2.75 m;
 Specifications refer to the distance of 1.60 m from the floor
 to the lower edge of the hood.