



AL400191
Table ventilation 400 series
Width 90 cm
Air extraction / Air recirculation
Motorless

Extendable table ventilation, when not in use can be completely lowered into the worktop
 Can be combined perfectly with other Vario appliances of the 400 series
 Dimmable, neutral white surface LED light for ideal illumination of the whole cooktop
 Precision crafting of 3 mm stainless steel
 For surface mounting with a visible edge or for flush mounting
 Motorless, can be combined with Gaggenau BLDC remote fan units

Output
 Power levels depend on the remote fan unit.

Features
 stainless steel
 3 electronically controlled power levels and 1 intensive mode.
 Interval ventilation, 6 min.
 Run-on function, 6 min.
 Grease filter saturation indicator.
 Cartridge-type filter, dishwasher-safe.
 Neutral white surface LED light (3600 K), continuously dimmable.
 Lamp output 4 x 5 W.
 Illuminance 191 lx.
 Spare covers for closing air outlets.
 No connecting piece included.

Consumption data
 Consumption data is referred to a configuration with the remote fan unit AR 400 142.
 Energy consumption 45.5 kWh/year.
 Sound level min. 45 dB / max. 61 dB normal mode.

Planning notes
 Secure the control unit to the side panel of the cabinet, not to the base of the cabinet or the kitchen floor.
 Connection to the respective appliances via network cable.
 Operation of Vario cooking appliances only possible without appliance cover.
 Max. output of cooktops 18 kW.
 Installation is possible in worktops made of stone, synthetics or solid wood. Heat resistance and watertight sealing of the cut edges must be observed. Concerning other materials please consult the worktop manufacturer.
 The remaining surface of the worktop (min. 50 mm) between the cut-outs must be reinforced with a support. It is recommended to use furniture support AA 409 401/431.
 Ovens that do not exceed the maximum allowed cabinet temperature can be combined with the table ventilation if built-in situation permits.
 To avoid smoke when frying/grilling refer to the manuals of VR/VP.
 When installing a ventilation hood with air extraction mode and a chimney-vented fireplace, the power supply line of the ventilation appliance needs a suitable safety switch.

Connection
 Total connected load 65 W.
 Connecting cable 1.7 m, pluggable.
 Network cable 1.2 m.

Characteristics
Product name/family
Color chimney
Typology
 Traditional
Approval certificates
 Australia Standards, CE, Eurasian, G-Mark, VDE
Length electrical supply cord (cm)
 170
Required niche size for installation (HxWxD)
 540mm x 840.0mm x 122mm
Height of the chimney (mm)
Height of product, without chimney (mm)
 540
Minimum distance above an electric hob
Minimum distance above a gas hob
Net weight (kg)
 35.450
Type of control
 Electronic
Number of speed settings
Maximum output air extraction (m3/h)
 600
Boost position output recirculating (m3/h)
Maximum output recirculating air (m3/h)
Boost position air extraction (m³/h)
Number of lights
 4
Noise level (dB)
 61
Diameter of air outlet (mm)
Grease filter material
 Washable stainless steel
EAN code
 4242006240578

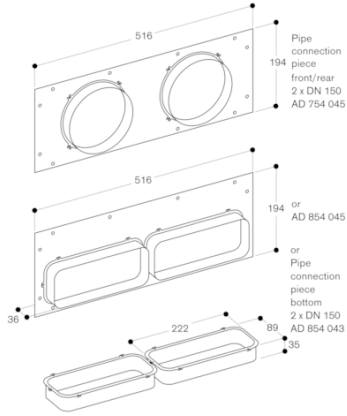
Consumption and connection features
Connection Rating (W)
 65
Current (A)
 10
Voltage (V)
 230
Frequency (Hz)
 60; 50
Plug type
 CH plug w/ earthing, GARDY plug w/ earthing, GB plug
Installation typology
 Built-in

2020-09-05
 Page 1

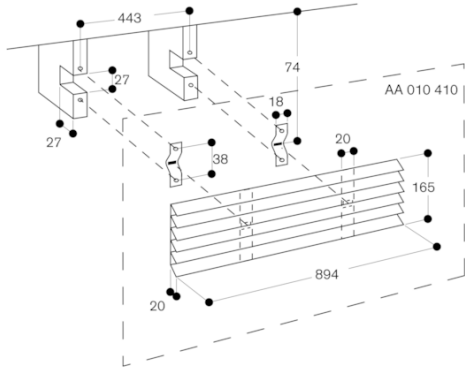
Color Variants
AL400191
Width 90 cm
Air extraction / Air recirculation

Installation Accessories
AA010410
Air exhaust grille air recirculation
AA409401
AD704048
AD704049
Air collector box DN 150 flat duct
AD754045
Connection piece for 2 aluflex pipes DN 150 round
AD854043
AD854045

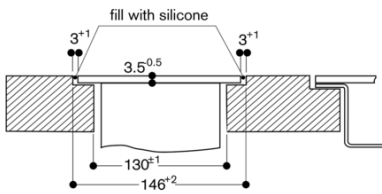
AD 754/854 045 and AD 854 043



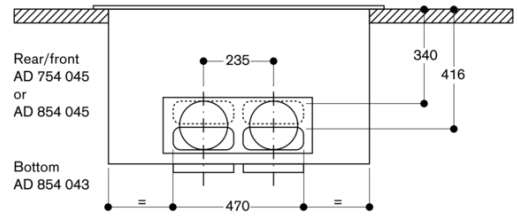
AA 010 410 air exhaust grille



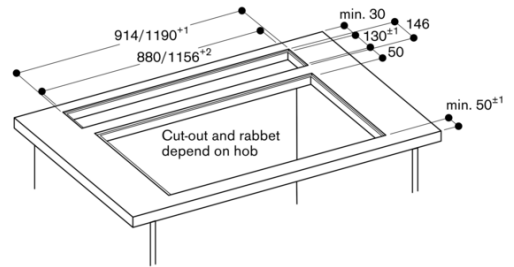
Cross-section



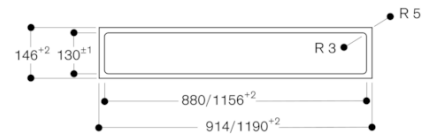
AL 400 connection positions DN 150



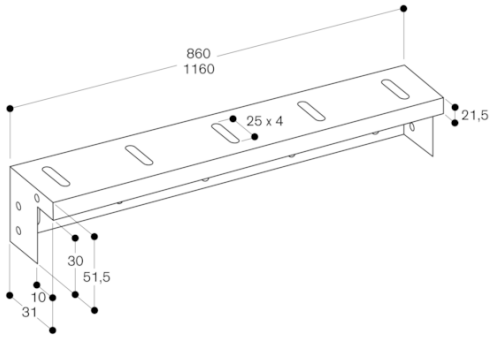
AL 400 installed flush



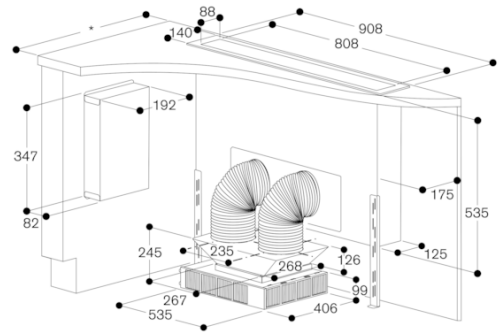
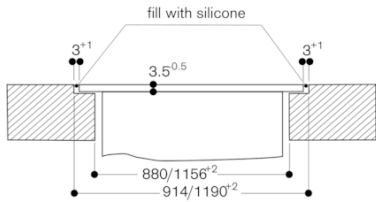
AL 400 cut-out flush-mounted



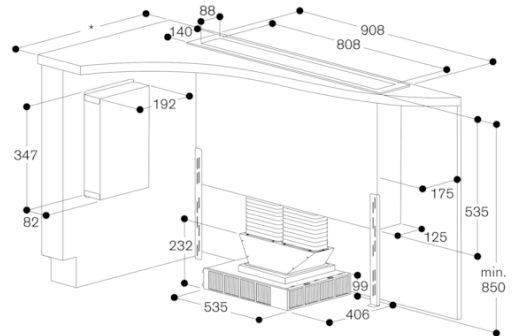
AA 409 401/431 furniture support



Longitudinal section

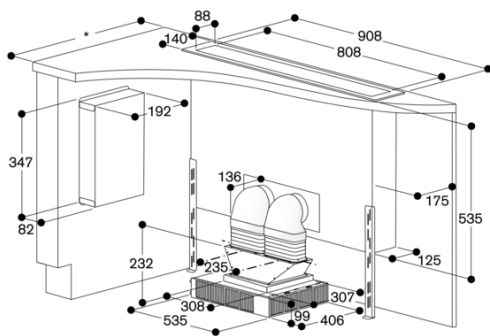


* All cooktops with cut-out depth 492: min. 750

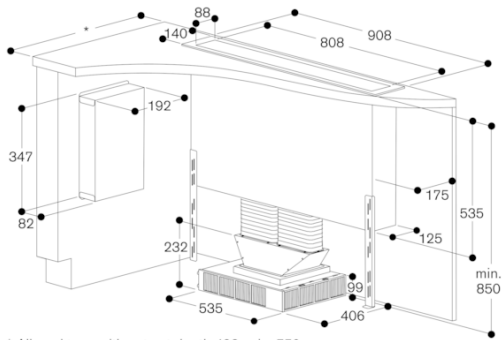


* All cooktops with cut-out depth 492: min. 750

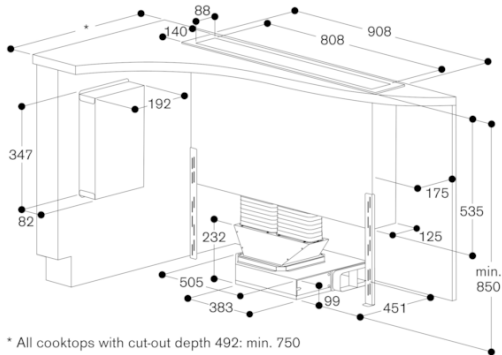
AL 400 cut-out for surface mounting



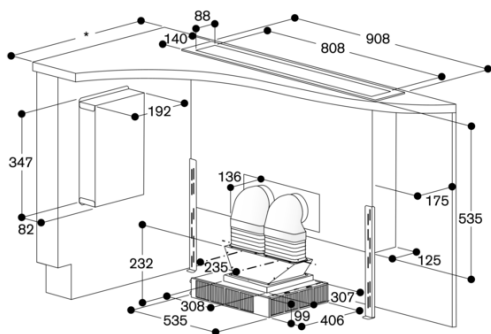
* All cooktops with cut-out depth 492: min. 750



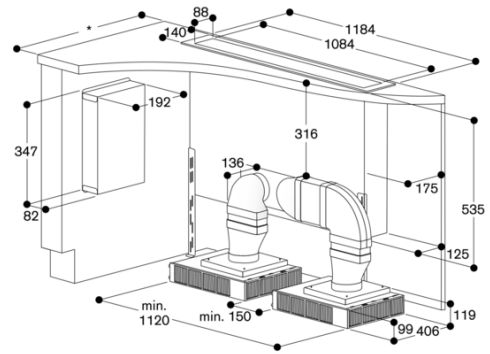
* All cooktops with cut-out depth 492: min. 750



* All cooktops with cut-out depth 492: min. 750

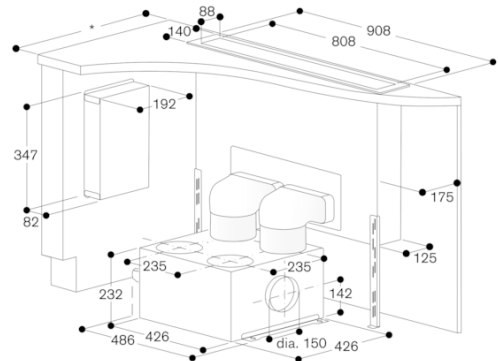
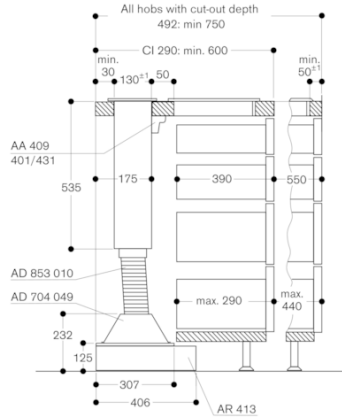


* All cooktops with cut-out depth 492: min. 750

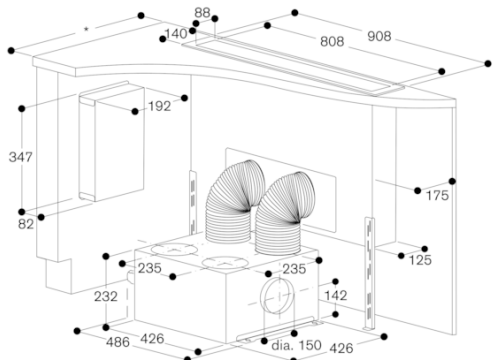


* All cooktops with cut-out depth 492: min. 750

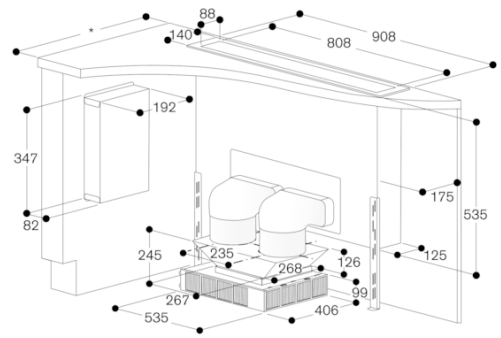
Cross-section of upper cabinet for AL 400 (without back wall) with AR 413; connection at the bottom



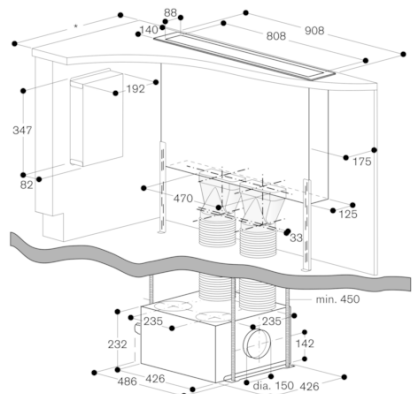
* All cooktops with cut-out depth 492: min. 750



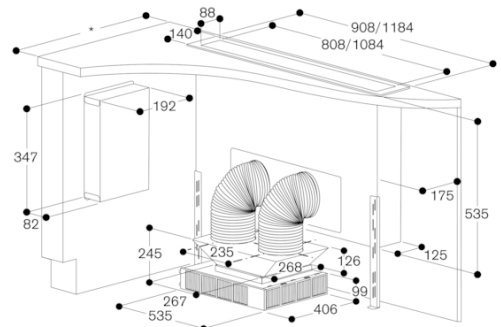
* All cooktops with cut-out depth 492: min. 750



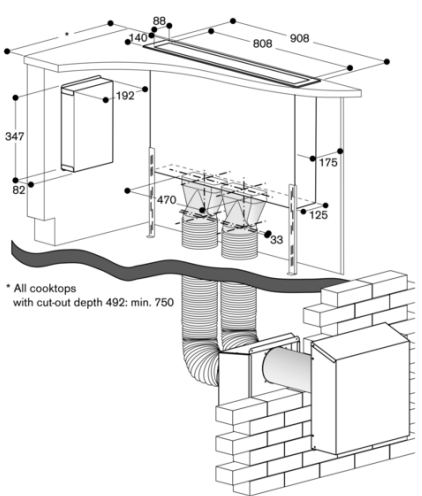
* All cooktops with cut-out depth 492: min. 750



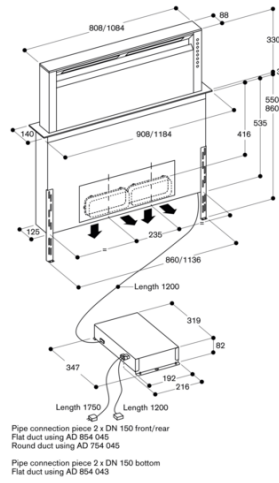
* All cooktops with cut-out depth 492: min. 750



* All cooktops with cut-out depth 492: min. 750



* All cooktops with cut-out depth 492: min. 750



Pipe connection piece 2x DN 150 front/rear
 Flat duct using AD 854 045
 Round duct using AD 714 045
 Pipe connection piece 2x DN 150 bottom
 Flat duct using AD 854 043